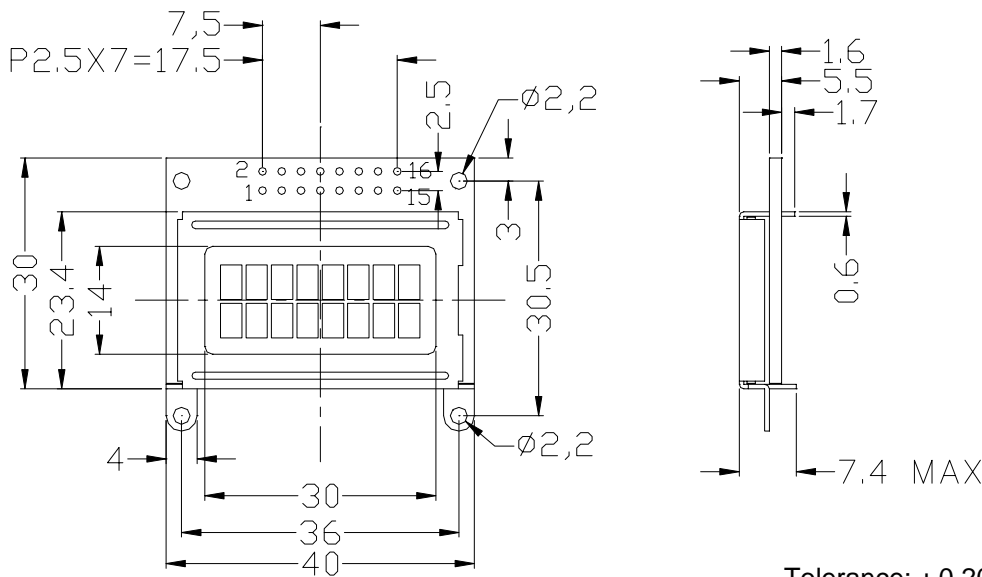
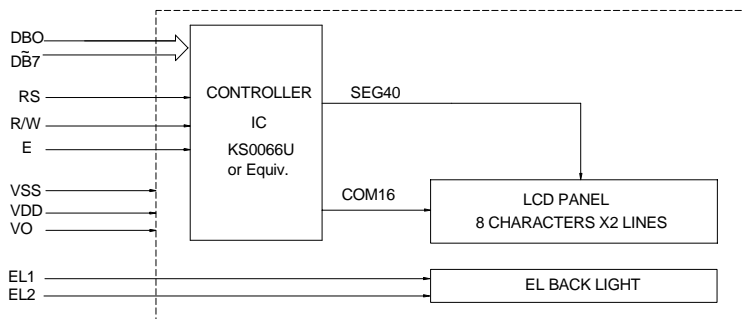


**OUTLINE DIMENSION**

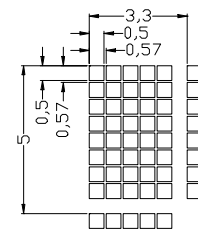


Tolerance: ±0.20mm, unless otherwise specified.

**BLOCK DIAGRAM**



**DISPLAY PATTERN**



Character Type

**MECHANICAL SPECIFICATION**

Item	Dimensions(W)X(H)	Unit
Overall Size	40.0x35.5	MM
View Area	30.0x14.0	MM
Character	2.78x4.49	MM
Dot Size	0.50x0.50	MM
Dot Pitch	0.57x0.57	MM

**PIN ASSIGNMENT**

Pin no	Symbol	Function
1	VSS	Power Supply(GND)
2	VDD	Power Supply(+)
3	VO	Contrast Adjust
4	RS	Command data input
5	R/W	Data read / write
6	E	Enable signal
7-14	DB0~DB7	Data bus line
15	EL1	Back light anode
16	EL2	Back light cathode

**ABSOLUTE MAXIMUM RATING**

Item	Symbol	Condition	Min	Max	Unit
Supply for logic voltage	VDD	25°C	-0.3	7.0	V
LCD driving supply voltage	VDD-VO	25°C	-0.3	VDD+0.3	V
Input voltage	VI	25°C	-0.3	VDD+0.3	V

**ELECTRICAL CHARACTERISTICS**

Item	Symbol	Condition	Min	Typical	Max	Unit
Supply voltage for logic	VDD	---	4.5	5.0	5.5	V
Supply current for logic	IDD	---	---	0.35	0.6	mA
Operation voltage for LCD	VDD-VO	0°C	4.9	5.2	5.5	V
		25°C	4.7	5.0	5.3	V
		50°C	4.5	4.8	5.1	V
Input voltage " H " level	VIH	---	2.2	---	VDD	V
Input voltage " L " level	VIL	---	-0.3	---	0.6	V
Supply voltage for EL	VF	---	---	85	100	V
Supply frequency for EL	IF	VF=4.2V	---	600	1000	mA

**REMARKS:**

- LCD options: STN, TN, FSTN.
- Back light type: EL Back light feature.