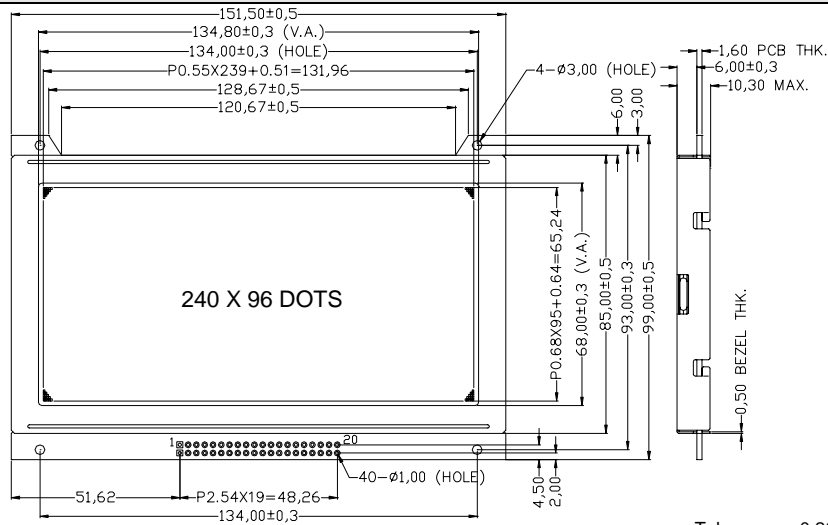


Standard LCD module

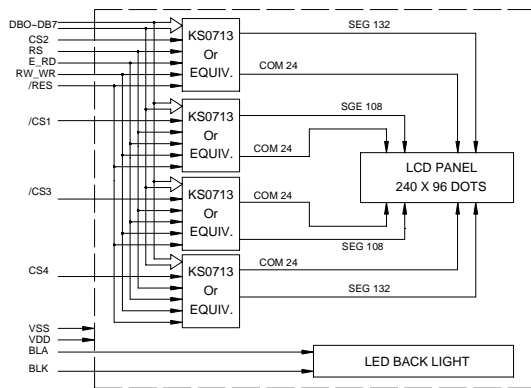
MG24096-01

OUTLINE DIMENSION

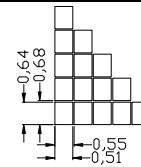


Tolerance: ± 0.20mm, unless otherwise specified.

BLOCK DIAGRAM



DISPLAY PATTERN



MECHANICAL SPECIFICATION

Item	Dimensions(W)X(H)	Unit
Overall Size	151.5×99.0	MM
View Area	134.8×68.0	MM
Dot Size	0.51×0.64	MM
Dot Pitch	0.55×0.68	MM

PIN ASSIGNMENT

Pin no	Symbol	Function
1	Vss	Power Supply(GND)
2	VDD	Power Supply(+)
3	/CS1	Chip1 select input pin when "L"
4	CS2	Chip2 select input pin when "H"
5	/CS3	Chip3 select input pin when "L"
6	CS4	Chip4 select input pin when "H"
7	RS	Data / Instruction signal
8	E_RD	6800: Read/Write Clock. 8080: Read enable
9	RW_WR	6800: Read/Write Clock. 8080: Write enable
10-17	DBO-DB7	8 bit bi-directional data bus
18	/RES	Reset input pin when "L"
19	BLA	Back light pin (3.3V)
20	BLK	Back light pin

ABSOLUTE MAXIMUM RATING

Item	Symbol	Condition	Min	Max	Unit
Supply for logic voltage	V _{DD}	---	-0.3	7.0	V
LCD driving supply voltage	V _{DD-V_O}	---	-0.3	17.0	V
Input voltage	V _I	---	-0.3	V _{DD} +0.3	V

ELECTRICAL CHARACTERISTICS

Item	Symbol	Condition	Min	Typical	Max	Unit
Supply voltage for logic	V _{DD}	---	2.4	3.3	3.6	V
Supply current for logic	I _{DD}	---	---	0.95	1.0	mA
Operation voltage for LCD	V _{DD-V_O}	25°C	9.0	9.2	9.5	V
Input voltage "H" level	V _{IH}	---	0.8V _{DD}	---	V _{DD}	V
Input voltage "L" level	V _{IL}	---	V _{SS}	---	0.2 V _{DD}	V
Supply voltage for back light	V _F	---	---	3.3	3.5	V
Supply current for back light	I _F	V _F =3.3V	---	400	600	mA

REMARKS:

- 8080/6800 mode is configurable by jumper setting.
- LCD options: STN, FSTN.
- Back light type: LED Back light feature.